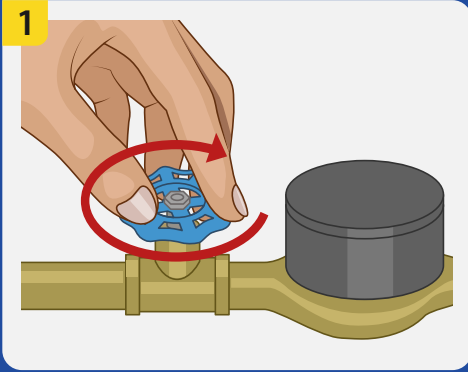
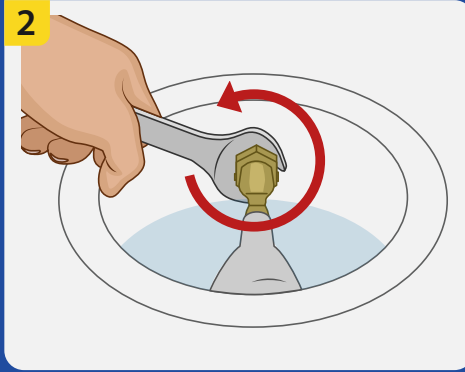


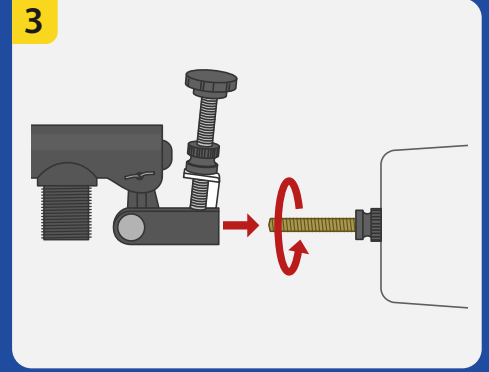
# Installation



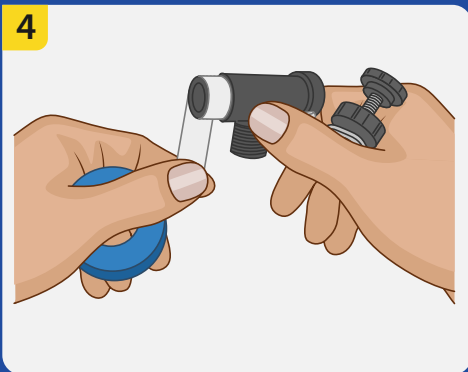
1 Turn off water supply.



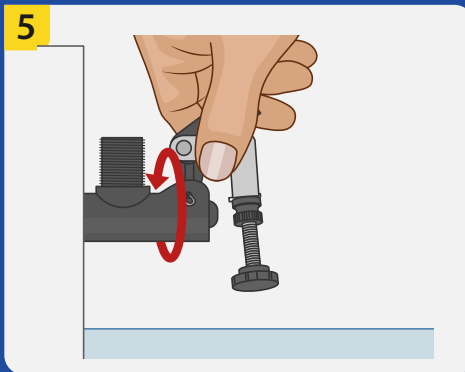
2 Remove old float valve.



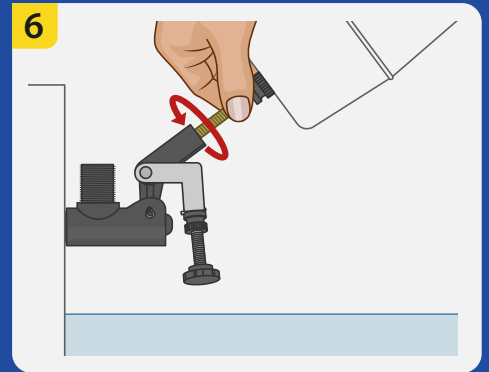
3 Back off float stem locking nut all the way to float and remove float and stem. Make it easier to install.



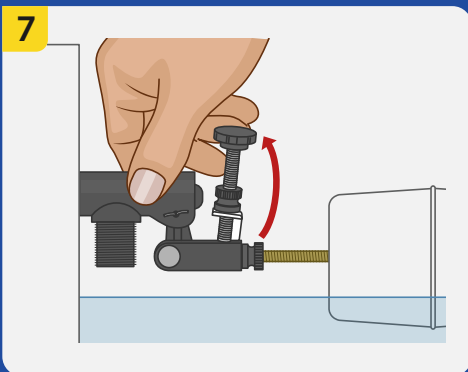
4 Apply teflon tape (not included) to new float valve.



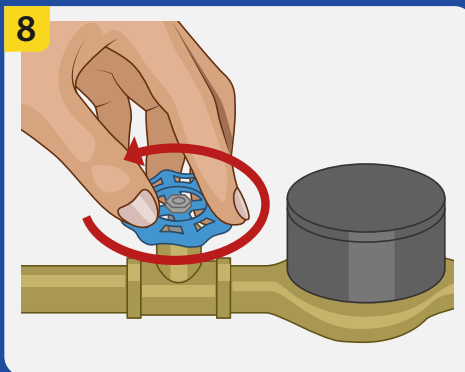
5 Install to where you half a turn left (upside down). Hand tighten so not to over tighten.



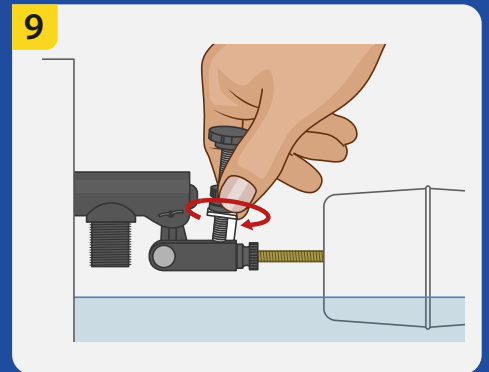
6 Reinstall float and stem all the way in (don't over tighten) and move locking nut back against valve body.



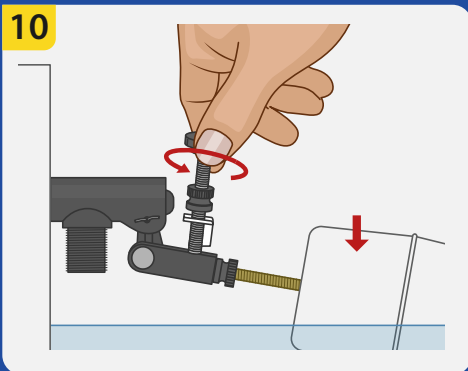
7 Finish turning body to downward position. If need you can move float stem back out 5/8" for more laverage. Make sure it clears canister wall.



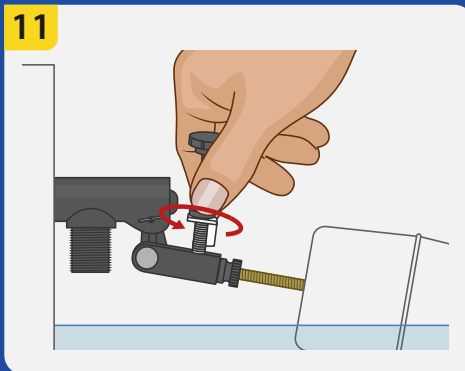
8 Turn on water supply.



9 Loosen locking nut.



10 Set water level with adjustment knob. Counter clockwise to **RAISE** the water and clockwise to **LOWER** the water.



11 Thighten locking nut.

## Note:

Valve may drip until pressure on float equals incoming pressure. If drippings continue try lowering incoming pressure by turning incoming water down.

For more installation and adjustments videos go to [www.floatvalvetec.com](http://www.floatvalvetec.com)